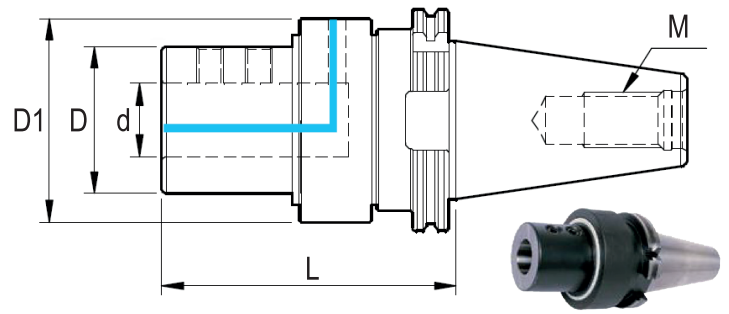


ADDUTTORI REFRIGERANTE

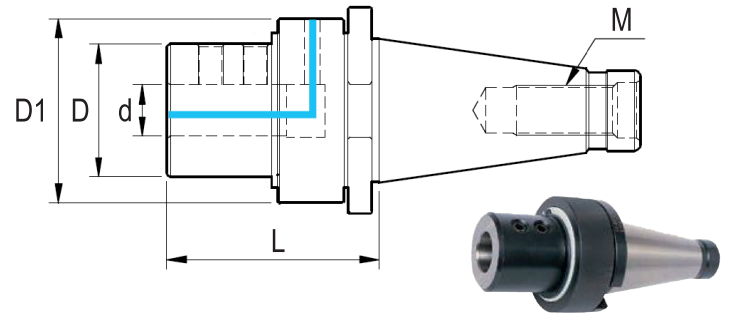


ADDUTTORI REFRIGERANTE

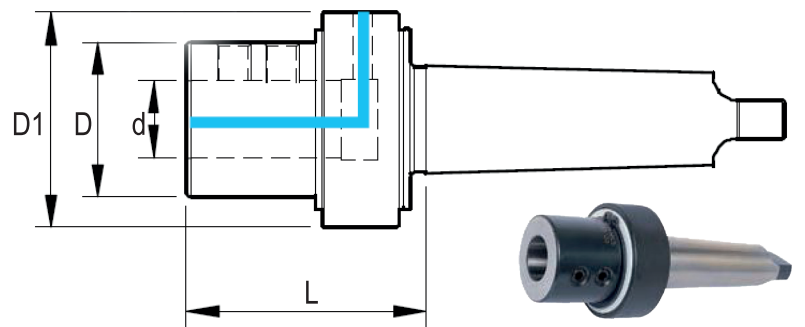
CODICE	d	L	D	D1	M
AD-SK40-20L110	20	110	50	78	16
AD-SK40-25L125	25	125	50	78	
AD-SK40-32L130	32	130	65	88	
AD-SK50-20L105	20	105	50	78	24
AD-SK50-25L120	25	120	50	78	
AD-SK50-32L125	32	125	65	98	
AD-SK50-40L135	40	135	65	98	
AD-SK50-50L165	50	165	90	123	



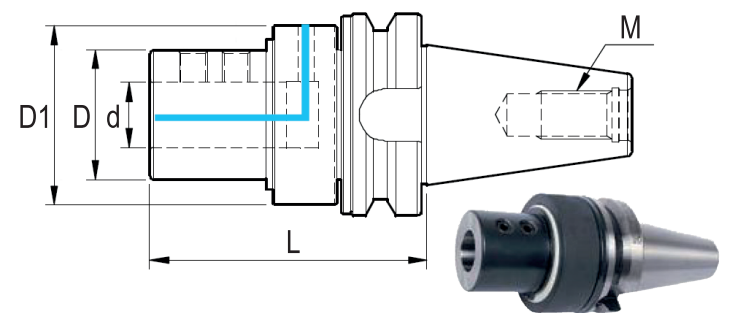
CODICE	d	L	D	D1	M
AD-ISO40-20L90	20	90	50	78	16
AD-ISO40-25L105	25	105	50	78	
AD-ISO40-32L110	32	110	65	88	
AD-ISO50-20L90	20	90	50	78	24
AD-ISO50-25L105	25	105	50	78	
AD-ISO50-32L105	32	105	65	98	
AD-ISO50-40L120	40	120	65	98	
AD-ISO50-50L145	50	145	90	123	



CODICE	d	L	D	D1
AD-CM4-20L80	20	80	50	78
AD-CM4-25L95	25	95	50	78
AD-CM4-32L100	32	100	65	88
AD-CM5-20L80	20	80	50	78
AD-CM5-25L95	25	95	50	78
AD-CM5-32L100	32	100	65	88
AD-CM5-40L110	40	110	75	98
AD-CM5-50L140	50	140	90	123
AD-CM6-32L105	32	105	65	88
AD-CM6-40L120	40	120	75	98
AD-CM6-50L140	50	140	90	123



CODICE	d	L	D	D1	M
AD-BT40-20L105	20	105	50	78	16
AD-BT40-25L120	25	120	50	78	
AD-BT40-32L125	32	125	65	88	
AD-BT50-20L120	20	120	50	78	24
AD-BT50-25L135	25	135	50	78	
AD-BT50-32L135	32	135	65	98	
AD-BT50-40L145	40	145	65	98	
AD-BT50-50L170	50	170	90	123	



CODICE	d	L	D
BS32X20L65	20	65	32
BS32X25L65	25	65	32
BS40X20L75	20	75	40
BS40X25L75	25	75	40
BS40X32L75	32	75	40
BS50X20L95	20	95	50
BS50X25L95	25	95	50
BS50X32L95	32	95	50
BS50X40L95	40	95	50

